

PRODUCT TECHNICAL SHEET

Collection : **DEVILLE**

Ref. : **1955.--.19**

Mélangeur cuisine 2 trous à pont droit sur plan, grand bec mobile 235mm

2-gats keuken brugmengkraan, grote draaibare uitloop 235mm

2-hole kitchen bridge mixer, great swivel spout 235mm

Picture

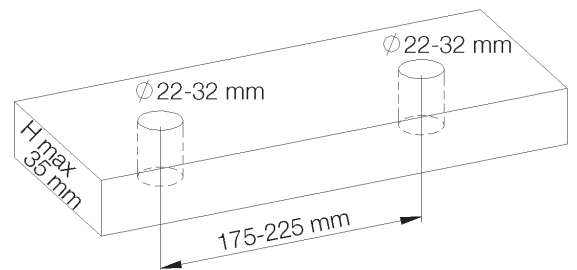
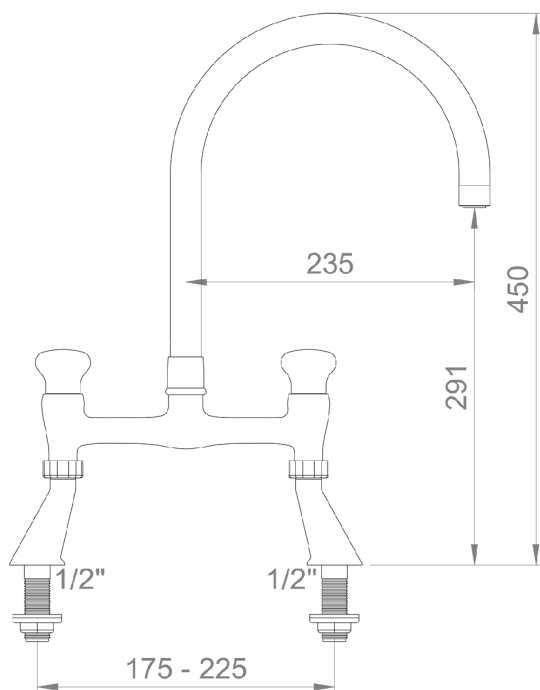
Product details



Flow at 3 bar : 30,0 l/min

Internal mechanism : Ceramic valve 1/4 turn

Technical drawing



RB0.V01